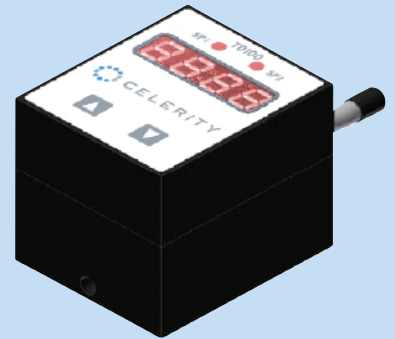


TD100 Series Pressure Transducer Displays

Accurate, miniature displays for point-of-use pressure monitoring

- » Local indication of process pressure measurement
- » 4 digit display in durable metal enclosure
- » Programmable zero and full scale
- » Setpoint indication and contact switching available on some models
- » CE and RoHS compliant
- » 1 year warranty



Product Description

Local display of process pressure improves safety and quality control of the gas delivery systems. The Celerity TD100 series pressure transducer displays allow a 4–20mA sensor to digitally display its pressure and send its signal to a final destination. A sensor, such as the Celerity SS2 (formerly SolidSense® II) pressure transducer, connects to either the back or bottom of the TD100 with a 4-pin, Bendix® connector. The TD100 connects to the loop through either a 6-wire pigtail cable or a 4-pin male Bendix connector. The TD100 offers a real time reading. It is loop powered, single channeled, and can swivel around the transducer so the viewing angle can be adjusted. The display has red LED lighting for easy reading in low ambient light. The TD100 has two adjustable alarm setpoints.

Applications

Gas delivery systems and tools used for semiconductor processing, including:

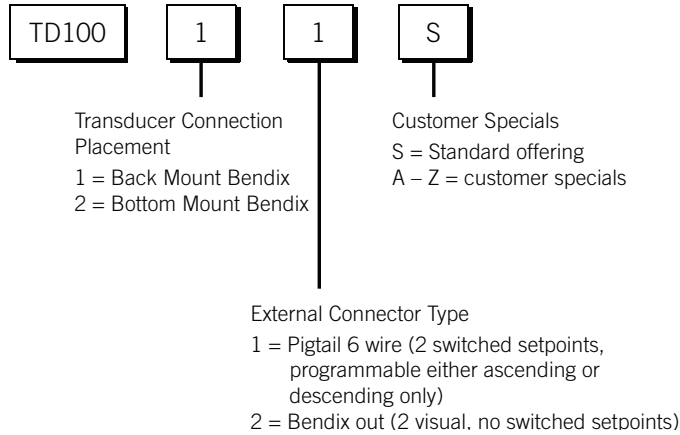
- Gas cabinets
- Gas panels
- Gas distribution systems
- Bulk gas

Benefits

- Point-of-use pressure monitoring
- Extremely accurate reading with outstanding noise immunity
- Low power electronics
- Ease of use and installation

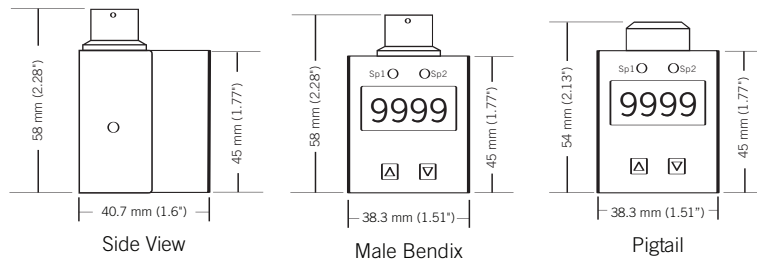
TD100 Series Pressure Transducer Display Specifications

Product Configurations



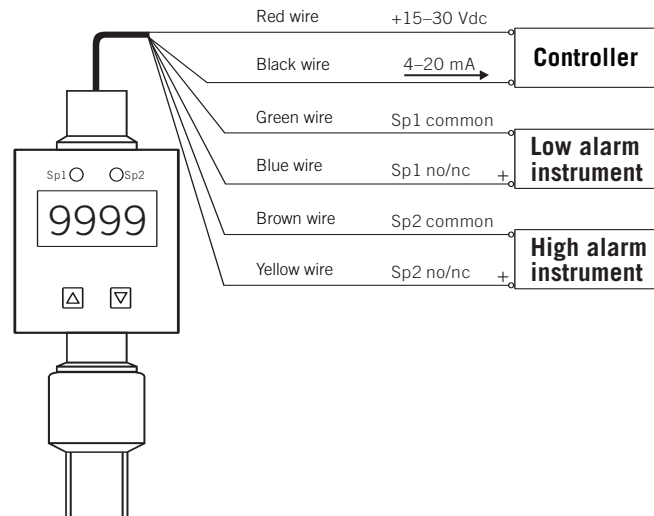
Product Dimensions

TD100 Series



Loop Voltage Simplified

TD100 Series



Features

4–20ma	Yes
Measuring units available	Programmable zero and FS
Swivel around transducer for better viewing angle	Yes
Two user programmable/adjustable alarm setpoints	Yes

Display

Accuracy	±0.1% FS
Conversion rate	10 times/second
Decimal point	User adjustable
Digital damping	0.3 to 3 sec (programmable)
Digits and type	4 digit, red LED with 7 segments
Polarity	automatic (–) displayed in vacuum
Range	–1999 to +9999
Temperature coefficient	±0.01 %FS/degree F
Value update	0.1 to 10 sec

Material

Housing	Aluminum, powder coating
Digit height/width	9 mm/5.4 mm
Pigtail length	2 M standard, (optional lengths upon request)
Stability, Vibration	15 Grm 10–2000 Hz (Mil-Std-202M20 Cond. B)
Stability, Shock	50 g, 11 msec (Mil-Std-202, M213 Cond G.)
Approx. shipping weight	200g

Electrical

Power requirements	Voltage drop <4.5; Minimum lit-up current 3 mA.
Input	4–20ma (2 wire, loop powered)
Connections	
Input:	Back mount, 4-pin female Bendix connector, factory wired for 4–20 ma transducer
Input:	Bottom mount, 4 pin female Bendix connector, factory wired for 4–20 ma transducer
Output:	Top mount, pigtail, 6 wire cable
Output:	Top mount, male bendix 4-pin connector
Pressure warnings	2 switched setpoints for pigtail, 2 visual setpoints for 4-pin Bendix
Setpoint Contact Rating	125 mA (max) and 26 VDC, electrically isolated
Resistive load:	Max 10 K ohm
Inductance:	4.7mH
Switching cycles:	>80K
Protection	
Short:	Permanent short circuit protection
Reverse:	No damage at reverse polarity, but no function
Access:	Password protection
Data Storage:	EPR0M, 4 K max.

Environmental

Temperature range	
Operating:	–20 to 85°C
Storage:	–40 to 85°C

Compliance

CE	Compliant to EMC directive EN61326
RoHS	Compliant to EU directive 2002/95/EC



CELERITY, INC.
 915 Enterprise Boulevard
 Allen, TX 75013 USA
 Telephone 972.359.4000
 Facsimile 972.359.4100
 www.celerity.net

For technical assistance, contact Celerity Technical Support at 972.359.4000.



Celerity and SolidSense are trademarks of Celerity, Inc. All other product or service names mentioned in this document may be trademarks of the companies with which they are associated. System descriptions are typical and subject to change without notice.